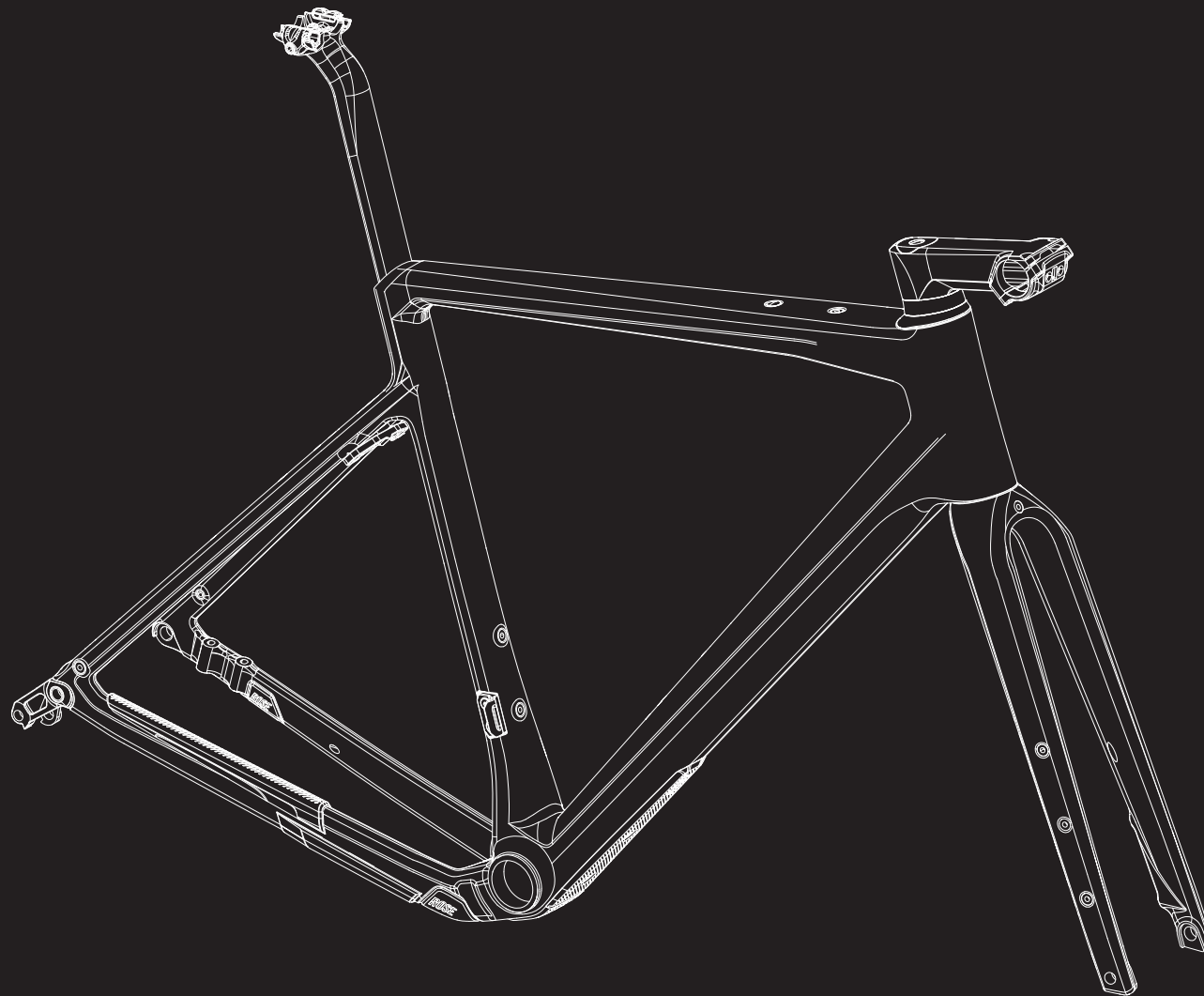


ROSE



ANY QUESTIONS?

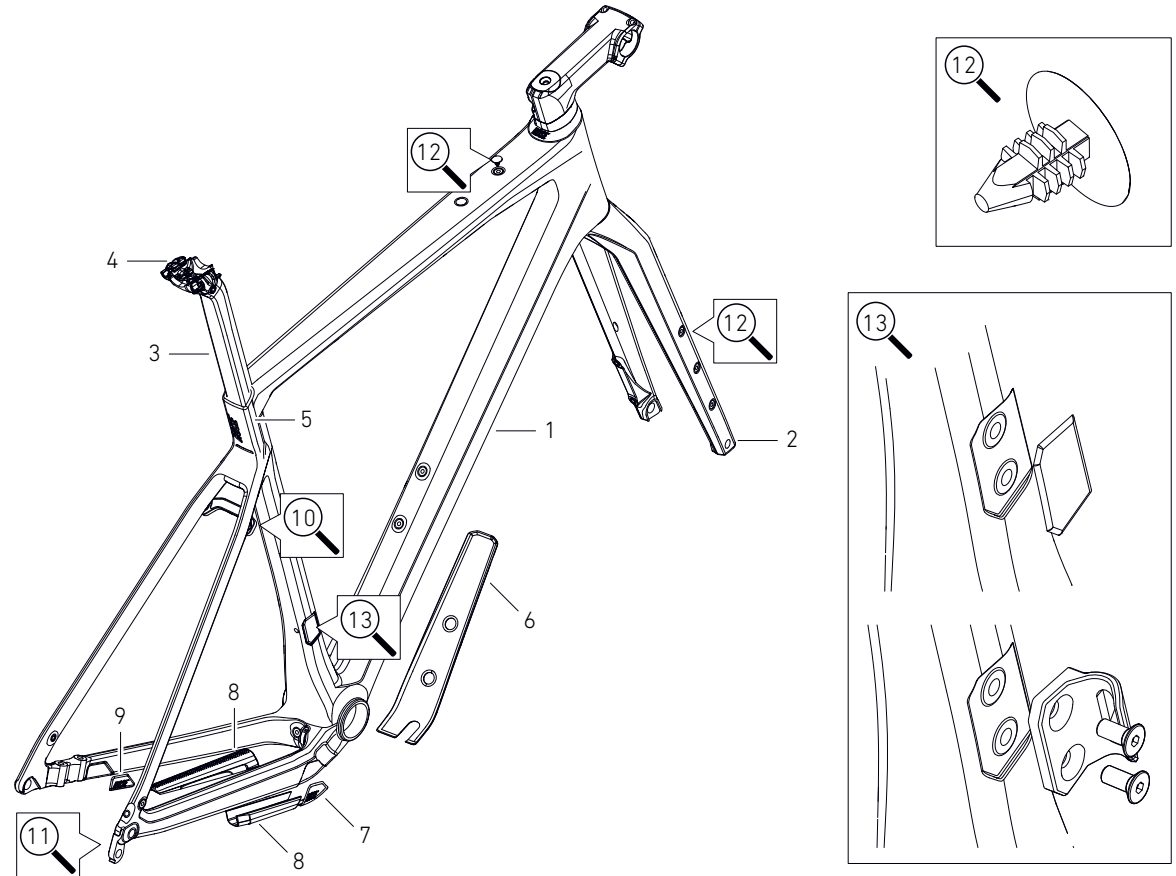
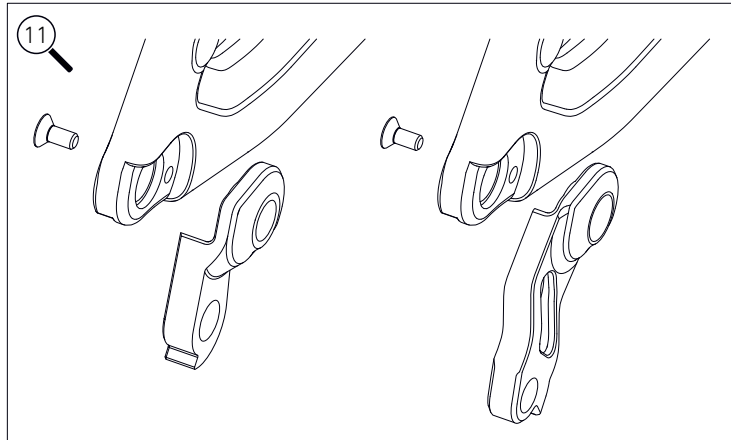
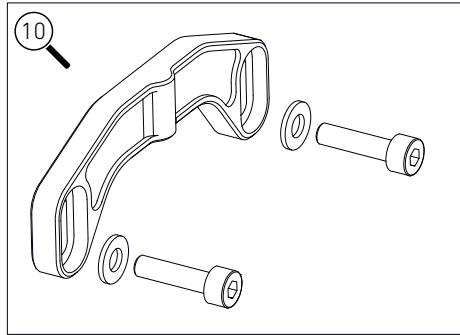
technik@rosebikes.com

ROSE Bikes GmbH
Schersweide 4
46395 Bocholt, Germany

BACK^{ROAD}

CF FRAME DETAILS
MODELYEAR 2020

BACKROAD CF FRAME DETAILS



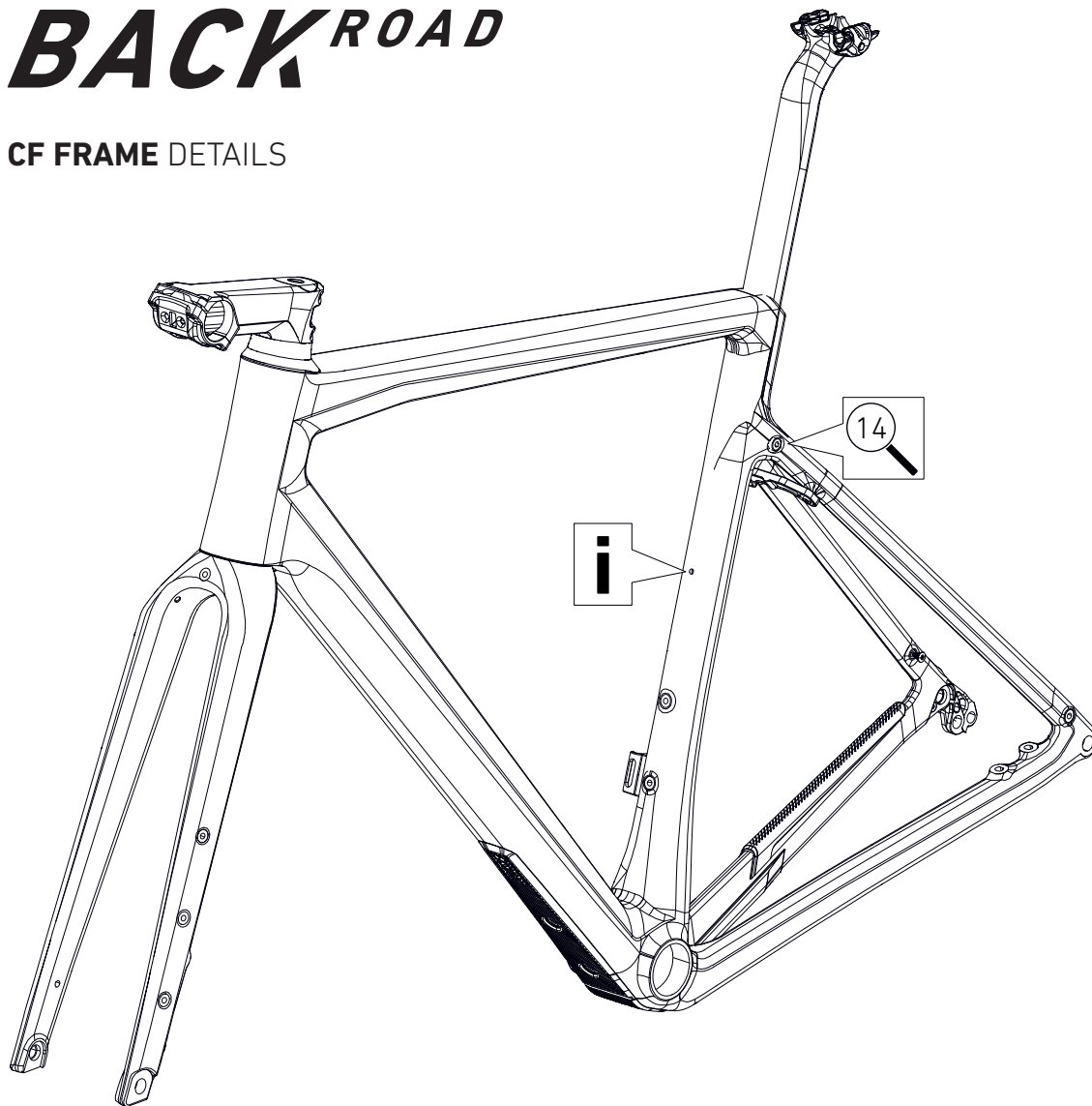
POS.	DESCRIPTION	SPECIFICATIONS	ART. NR.
1	frame	color: green	2294159
		color: purple	2294160
		color: grey	2299016
2	fork	color: green	2294164
		color: purple	2294165
		color: grey	2299017
3	seatpost	490 mm length / 25 mm setback	2297790
		490 mm length / 8 mm setback	2299453
		400 mm length / 8 mm setback	2310681
4	saddle clamp	Ø 7 mm rail	2284193
5	seatpost clamp cover		2289340
6	down tube TPR protector		2294170
7	chain suck plate		2294167
8			229417101
9	chainstay protector		2289352

POS.	DESCRIPTION	SPECIFICATIONS	ART. NR.
10	seatstay bridge*	incl. 2x M4 x 16 mm fixing screws	2294174
11	SRAM disc hanger	incl. fixing screw	2289316
	Shimano disc hanger	incl. fixing screw	2289315
12	pinetree plug	for M5 thread	2293464
13	front derailleur hanger	incl. 2x M5 x 12 mm fixing screws	2294168
	front derailleur cover plate one-by		2294169
	PU foam down tube cable routing		2289350
	Di2 front derailleur hole plug		2198822
	Di2 rear derailleur hole plug		2289347
	rubber plug	for M4 thread	2300342
	end cap	Jagwire 4.2 mm, black, alloy	1974766
	light cable plug	Ø 5 mm	1261228
	plug seatpost clamp screw		2178624

* this part is not fitted to the frame as standard

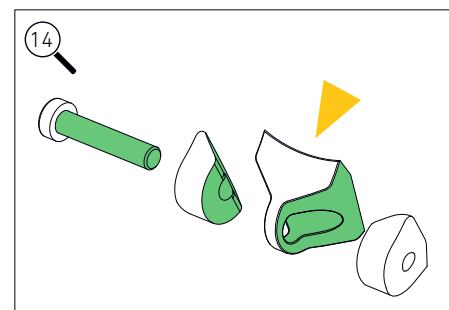
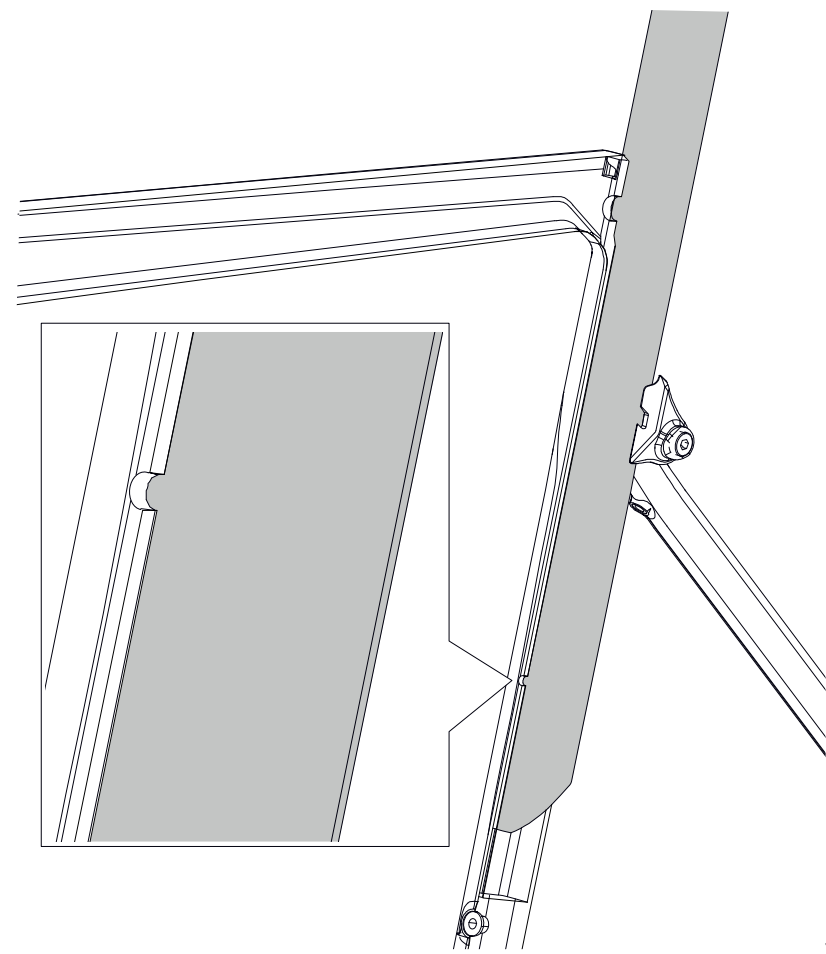
BACKROAD



CF FRAME DETAILS



There is a hole in the seat tube of the frame to verify the minimum seat post insertion depth.

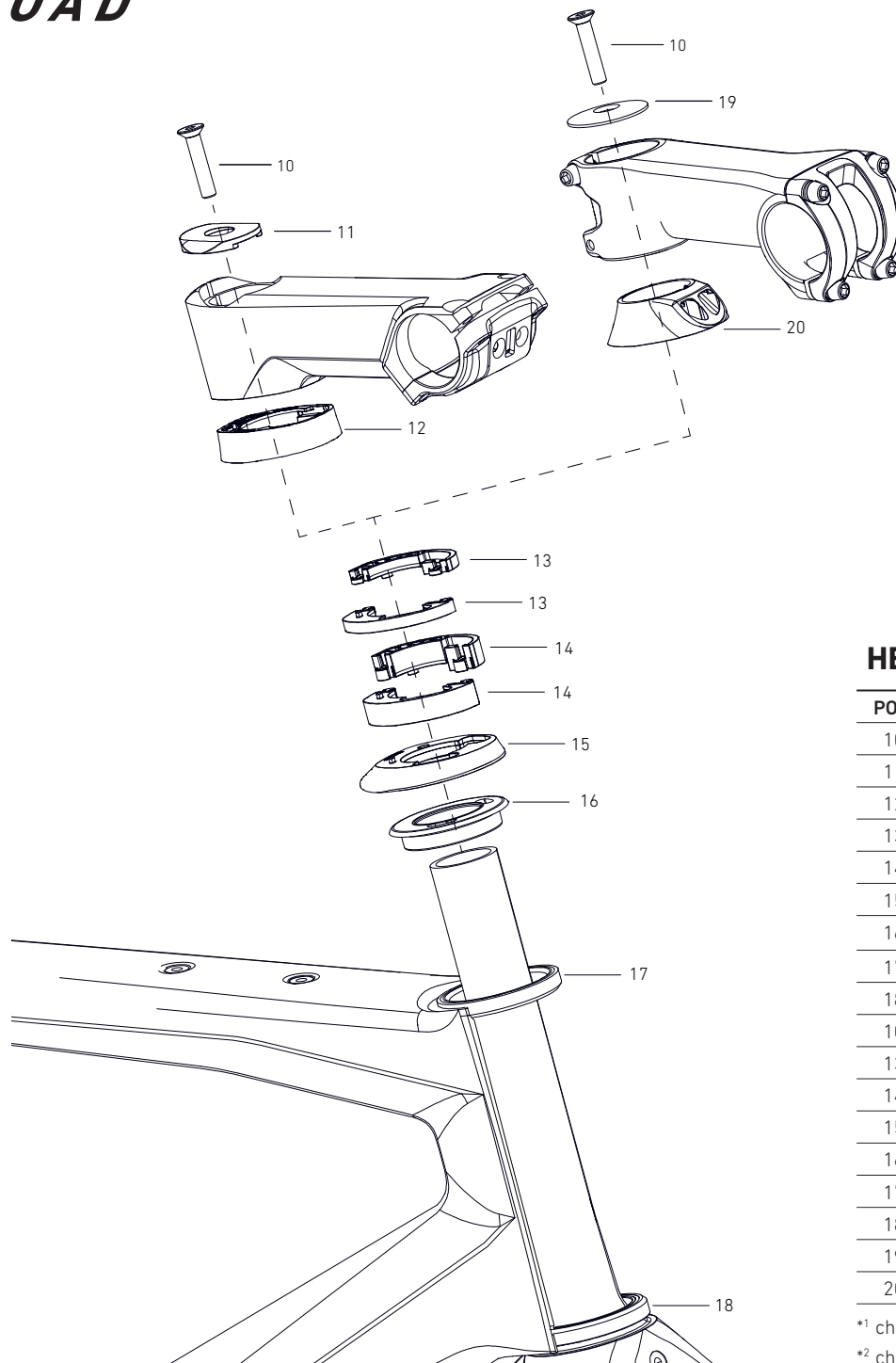
The seatpost must always be inserted that far, that it is visible through the hole.



14	seatpost clamp	torque: max. 5 Nm	2289345
	GREASE	DYNAMIC GALLI BEARING 100 g	49217800
		DYNAMIC GALLI BEARING 400 g	49217900
	CARBON ASSEMBLY PASTE	for example DYNAMIC, Art. Nr. 25377201	

BACKROAD

CF FRAME DETAILS



HEADSET DETAILS

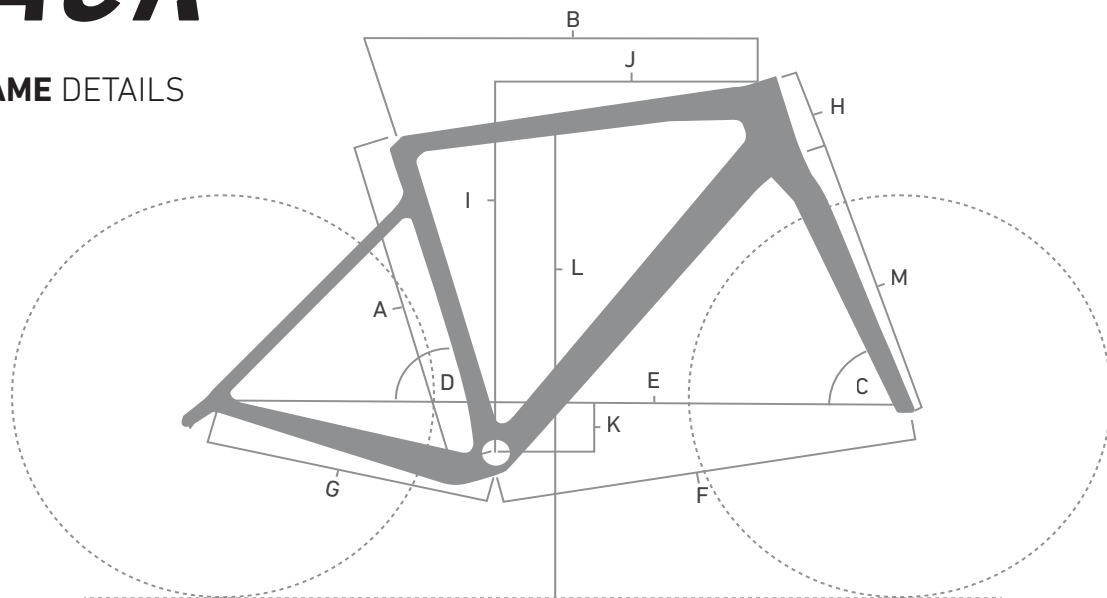
POS.	DESCRIPTION	SPECIFICATIONS	ART. NR.
10	countersunk head screw	DIN7991, M6 X 30 mm	2292459
11	top cap		
12	top cover	for fully integrated cable routing	
13	spacer	different heights available*1	
14	spacer	different heights available*1	
15	headtube cover		
16	compression ring	Ø1 1/8"	
17	upper bearing	42 x 52 x 7 mm	
18	lower bearing	40 x 52 x 7 mm, R1	
10	countersunk head screw	DIN7991, M6 X 30 mm	230922801
13	spacer	different heights available*2	
14	spacer	different heights available*2	
15	headtube cover		
16	compression ring	Ø1 1/8"	
17	upper bearing	42 x 52 x 7 mm	
18	lower bearing	40 x 52 x 7 mm, R1	
19	top cap		
20	top cover	for semi integrated cable routing	

*1 choose art. nr. 2292460

*2 choose art. nr. 2299271

BACKROAD

CF FRAME DETAILS



FRAME GEOMETRY

		50	53	55	57	59	62
SEATTUBE LENGTH [MM]	A	450	480	500	520	540	575
TOPTUBE LENGTH HORIZONTAL [MM]	B	515	534	550	568	582	602
HEAD TUBE ANGLE	C	71°	71.25°	71.5°	71.75°	72°	
SEAT TUBE ANGLE	D	75°	74.5°	74°	73.5°		
WHEELBASE [MM]	E	1000	1012	1021	1039	1051	1072
FRONT CENTER [MM]	F	585	597	606	617	628	649
REAR CENTER [MM] (CHAINSTAY LENGTH)	G	427			434		
HEADTUBE LENGTH [MM]	H	100	120	135	150	165	188
STACK [MM]	I	536	555	570	586	601	623
REACH [MM]	J	371	380	386	395	404	417
STACK TO REACH RATIO		1.44	1.46	1.48		1.49	
BB DROP [MM]	K	76					
STAND-OVER HEIGHT (100 MM BEFORE BB)	L	757	782	799	816	834	862
FORK LENGTH [MM]	M	405					
FORK OFFSET [MM]		47					

FRAME INTERFACES

BOTTOM BRACKET	Shimano: SM-BB72-41B Pressfit Sram: DUB PF Road 86,5
FRONT WHEEL AXLE	12 x 100 mm: ROSE Art. Nr.: 227585701
REAR WHEEL AXLE	12 x 142 mm, ROSE Art. Nr.: 227469001
FRONT BRAKE MOUNT	Flatmount 160 mm
REAR BRAKE MOUNT	Flatmount 160 mm
MAX Ø DISC	front: 180 mm / rear 160 mm
Ø SEATPOST	D-shape
MAX. TIRE SIZE	700x45c / 650Bx47
MAX. CHAINRING SIZE	1x 46T / 2x 48-31T
FRONT DERAILLEUR MOUNT	only Shimano GRX
BOTTLE CAGE	yes, 4x frame and 2x fork

MAX SYSTEM WEIGHT (RIDER + BICYCLE + CLOTHING + GEAR + LUGGAGE): 110 KG
INTENDED USE: DIN 17406 CATEGORY 2