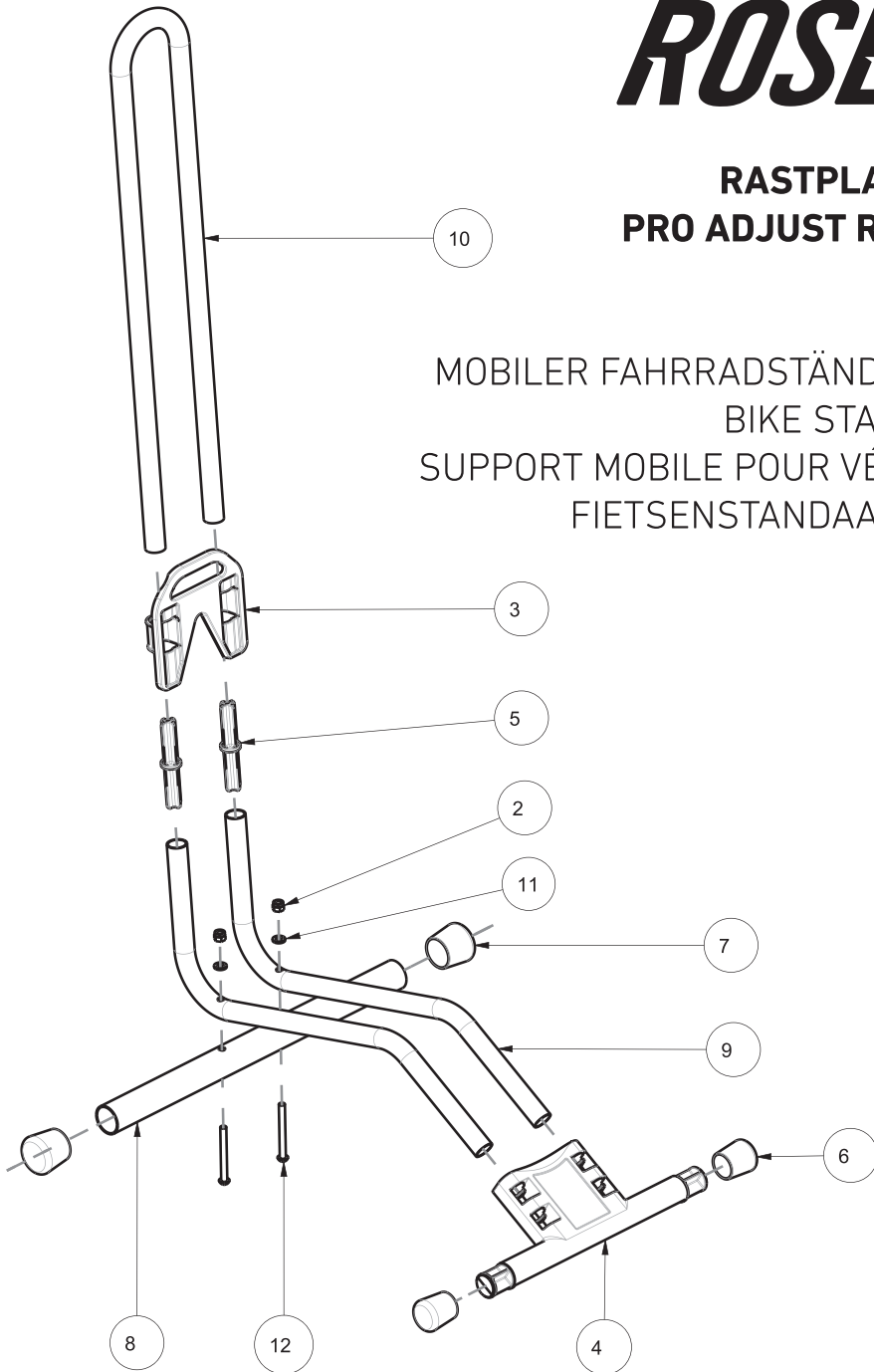


ROSE

RASTPLATZ PRO ADJUST RED

MOBILER FAHRRADSTÄNDER
BIKE STAND
SUPPORT MOBILE POUR VÉLO
FIETSENSTANDAARD



POS. N.	DEFINIZIONE DESIGNATION BENENNUNG	COD.	QT.
2	DADO AUT. M6/NUT/MUTTER	908DAN0006	2
3	BLOCCA-RUOTA IN PLASTICA PLASTIC WHEEL LOCKING DEVICE RADSPERRE AUS KUNSTSTOFF	904S201301	1
4	BASE IN PLASTICA/PLASTIC LOWER BASE/PLASTIK OBERPLATTE	904S201302	1
5	INSERTO IN PLASTICA PLASTIC INSERT KUNSTSTOFFEINSATZ	904S201303	2
6	TAPPO PLASTICA D25/ PLASTIC PLUG/ENDKAPPE	904TAP00011	2
7	TAPPO PLASTICA D30/PLASTIC PLUG/ENDKAPPE	904TAP00010	2
8	TUBO 30X1.2X400/TUBE/ROHR	911S201301	1
9	TUBO 20X1.2X573/TUBE/ROHR	911S201302	2
10	TUBO 20X1.2X1210/TUBE/ROHR	911S201303	1
11	RONDELLA ELASTICA ONDULATA Ø 6/WASHER/SCHEIBE	908REO0006	2
12	VITE 4.8 M6X55 ZN/SCREW/ SCHRAUBE	908TCZ6055	2

ROSE Bikes GmbH

Schersweide 4, 46395 Bocholt, Germany

www.rosebikes.de

Best.-Nr.: 1969782

Made in Italy